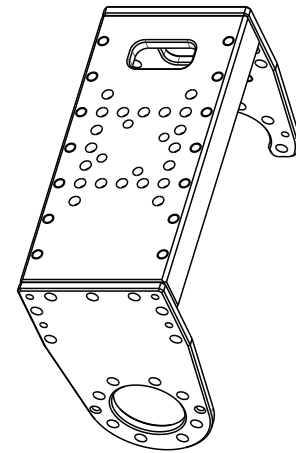
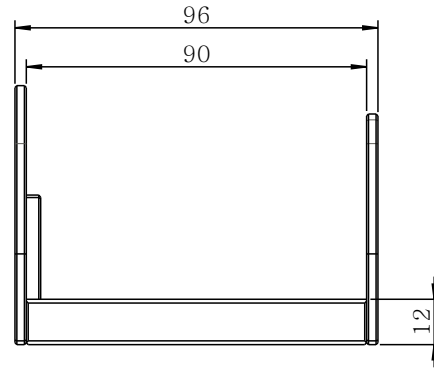
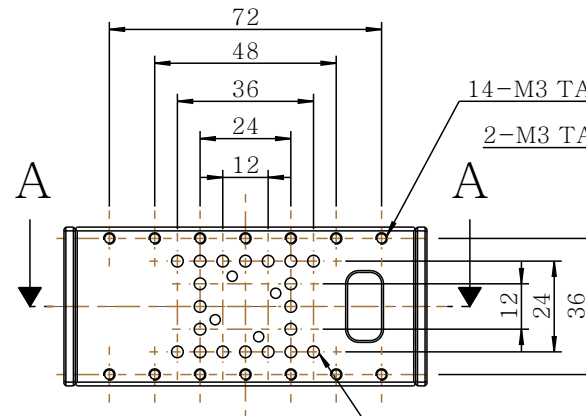
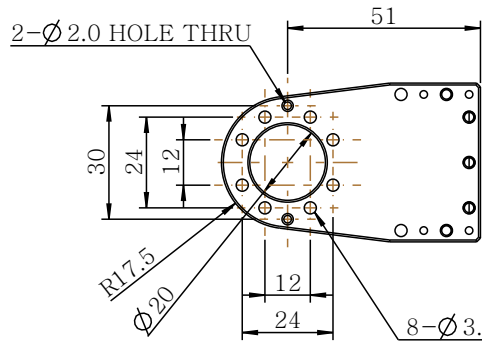


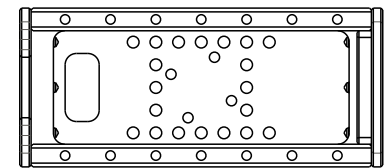
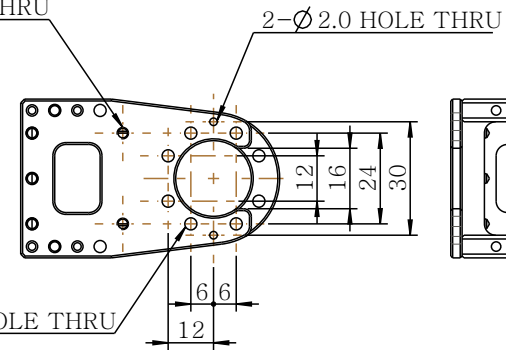
SECTION A-A  
SCALE 1/2



SCALE 1/2



SCALE 1/2



[FOR REFERENCE ONLY]

Title		Material	Scale	Unit	Sheet	
FRP42-H110		AL	NONSCALE	mm	1 of 1	
Date						
08/19/2013						